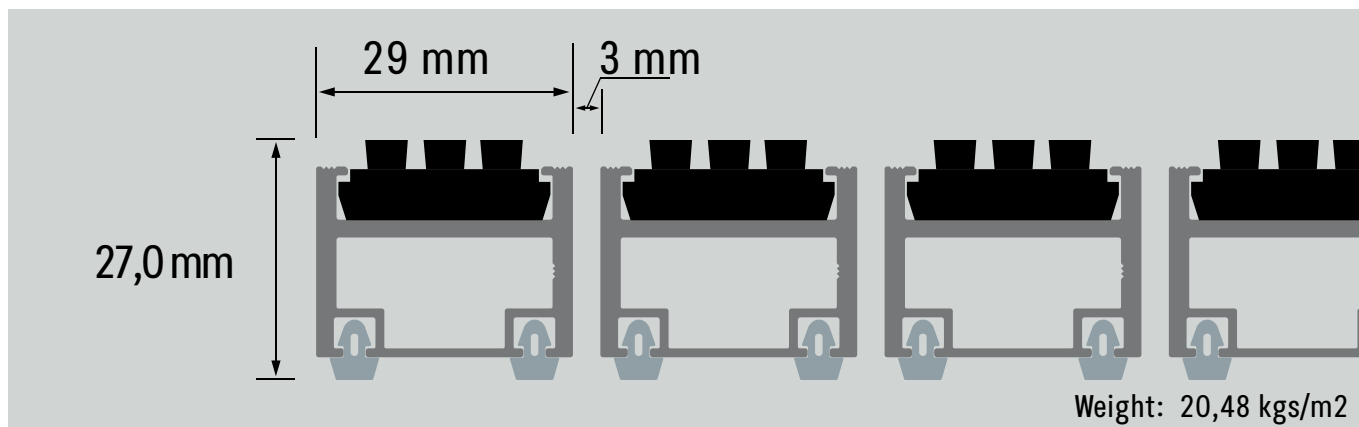
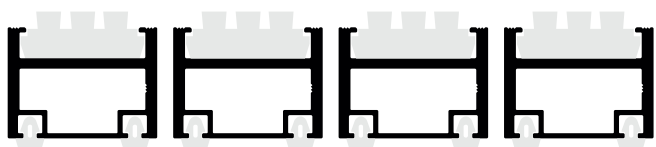


Technical specifications



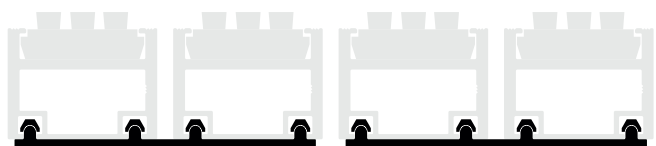
Aluminium profile



Composition: 6063 aluminium alloy with T.5 treatment

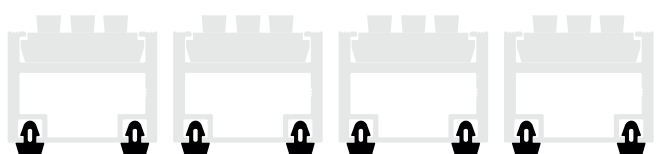
Weight: 219 grammes / linear meter

Plastic-hinge connection system between profiles



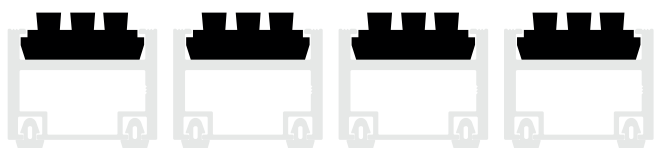
Composition: High strength polyamide

Acoustic isolation



Composition: PVC

Rubber upper insert



Base composition: Polypropylene

Brushes composition: Polyamide 6

Weight: 150 grammes / linear meter