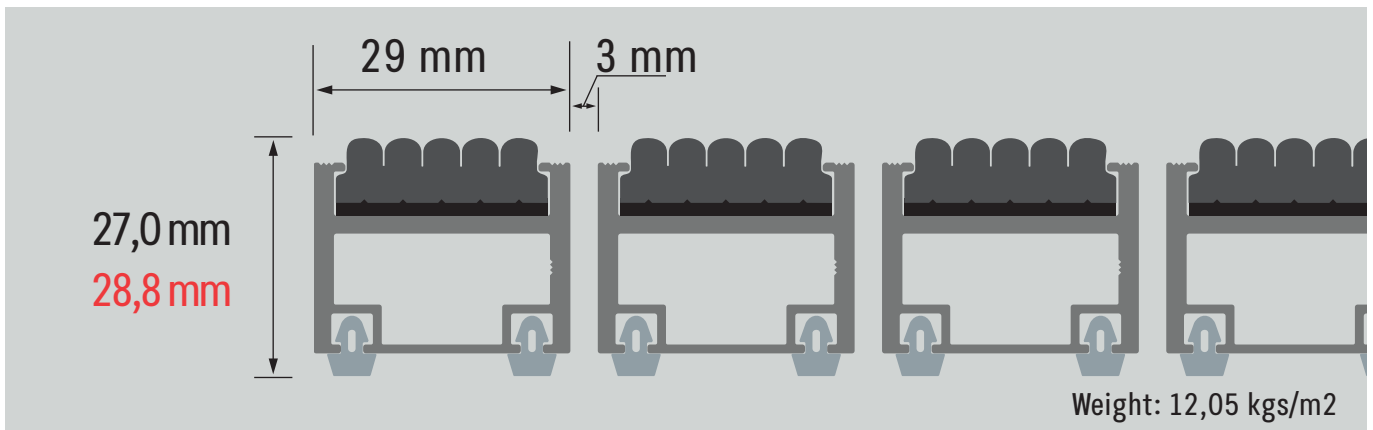
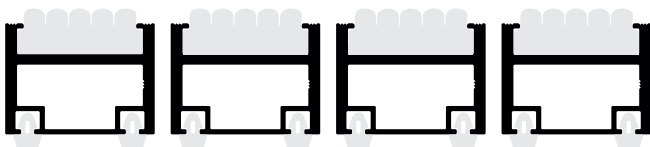


# Technical specifications



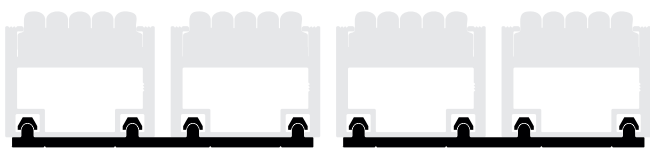
## Aluminium profile



Composition: 6063 aluminium alloy with T.5 treatment

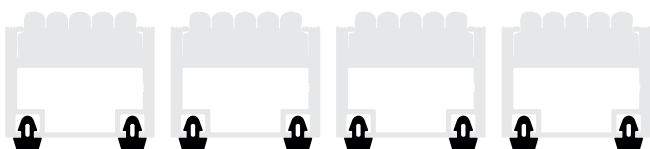
Weight: 319 grammes / linear meter

## Plastic-hinge connection system between profiles



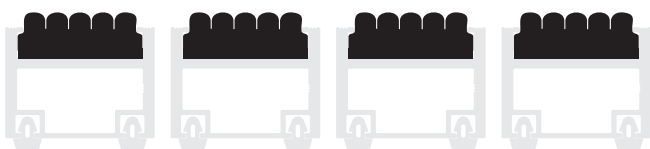
Composition: High strength polyamide

## Acoustic isolation



Composition: PVC

## Carpet upper insert



Manufacturing process: "Needled pile floorcovering" ISO 2424

Surface aspect: Looped

Pile yarn composition: 100 % PP ( polypropylene )

Backing: "Waffle" ISO 2424

Pile weight: 1150 gr / m<sup>2</sup>  
1750 gr / m<sup>2</sup>

Total weight: 2170 gr / m<sup>2</sup> (+/- 7,5 %) ISO 8543  
2780 gr / m<sup>2</sup> (+/- 7,5 %) ISO 8543

Pile height: 3,6 mm (< 7: +/- 0,5 % / >= 7: +/- 7,5 %)  
5,5 mm (+/- 0,5 %)

Total height: 9,2 mm (< 7: +/- 0,5 % / >= 7: +/- 7,5 %) ISO 1766  
11 mm (+/- 0,5 %) ISO 1766

(\*) Versión "heavy duty"

