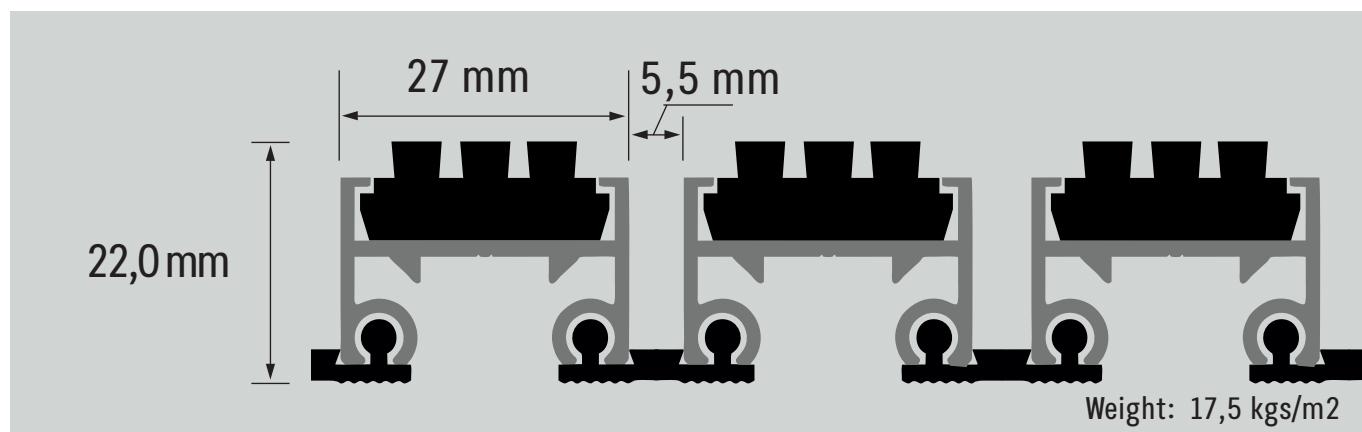


Technical specifications



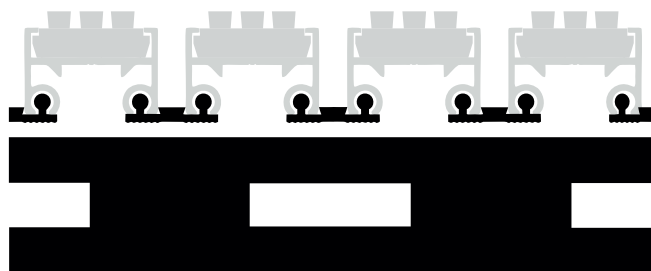
Aluminium profile



Composition: 6063 aluminium alloy with T.5 treatment

Weight: 281 grammes / linear meter

Joint between profiles



Composition: Plasticised PVC of SHORE A95 hardness

Weight: 80 grammes / linear meter

Drainage perforations: 6x22 mm
Distance between perforations: 22mm

Brush upper insert



Base composition: Polypropylene

Brushes composition: Polyamide 6

Weight: 150 grammes / linear meter