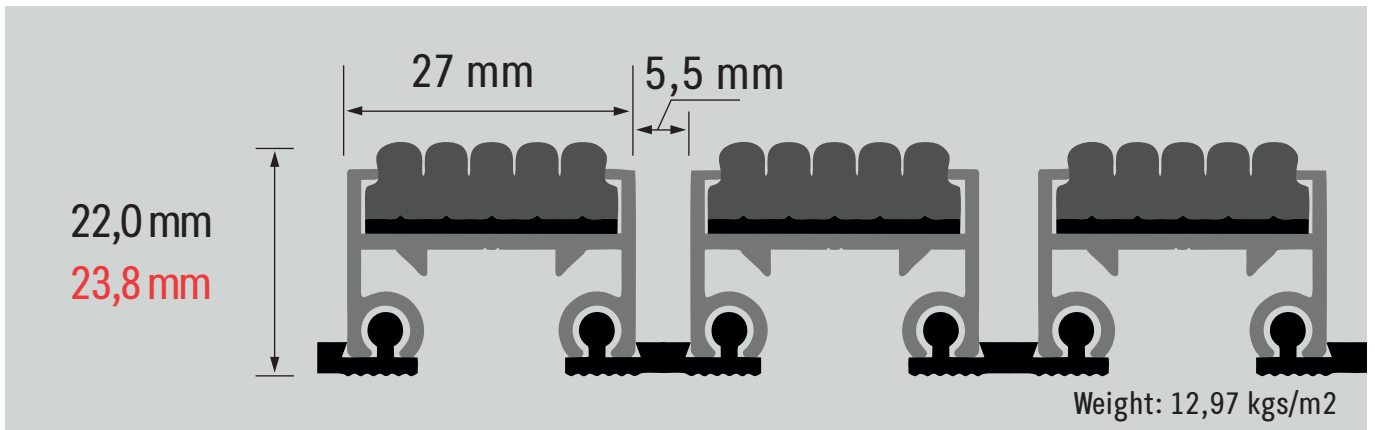


# Technical specifications



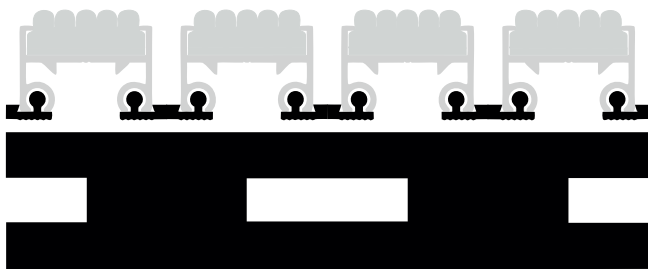
## Aluminium profile



Composition: 6063 aluminium alloy with T.5 treatment

Weight: 329 grammes / linear meter

## Joint between profiles

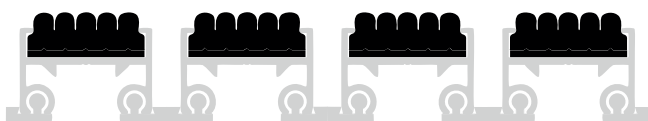


Composition: Plasticised PVC of SHORE A95 hardness

Weight: 80 grammes / linear meter

Drainage perforations: 6x22 mm  
Distance between perforations: 22mm

## Carpet upper insert



Manufacturing process: "Needled pile floorcovering" ISO 2424

Surface aspect: Looped

Pile yarn composition: 100 % PP (polypropylene)

Backing: "Waffle" ISO 2424

Pile weight: 1150 gr / m<sup>2</sup>  
1750 gr / m<sup>2</sup>

Total weight: 2170 gr / m<sup>2</sup> (+/- 7,5 %) ISO 8543  
2780 gr / m<sup>2</sup> (+/- 7,5 %) ISO 8543

Pile height: 3,6 mm (< 7: +/- 0,5 % / >= 7: +/- 7,5 %)  
5,5 mm (+/- 0,5 %)

Total height: 9,2 mm (< 7: +/- 0,5 % / >= 7: +/- 7,5 %) ISO 1766  
11 mm (+/- 0,5 %) ISO 1766

EN 14041	
EN 13297	

(\* ) Versión "heavy duty"